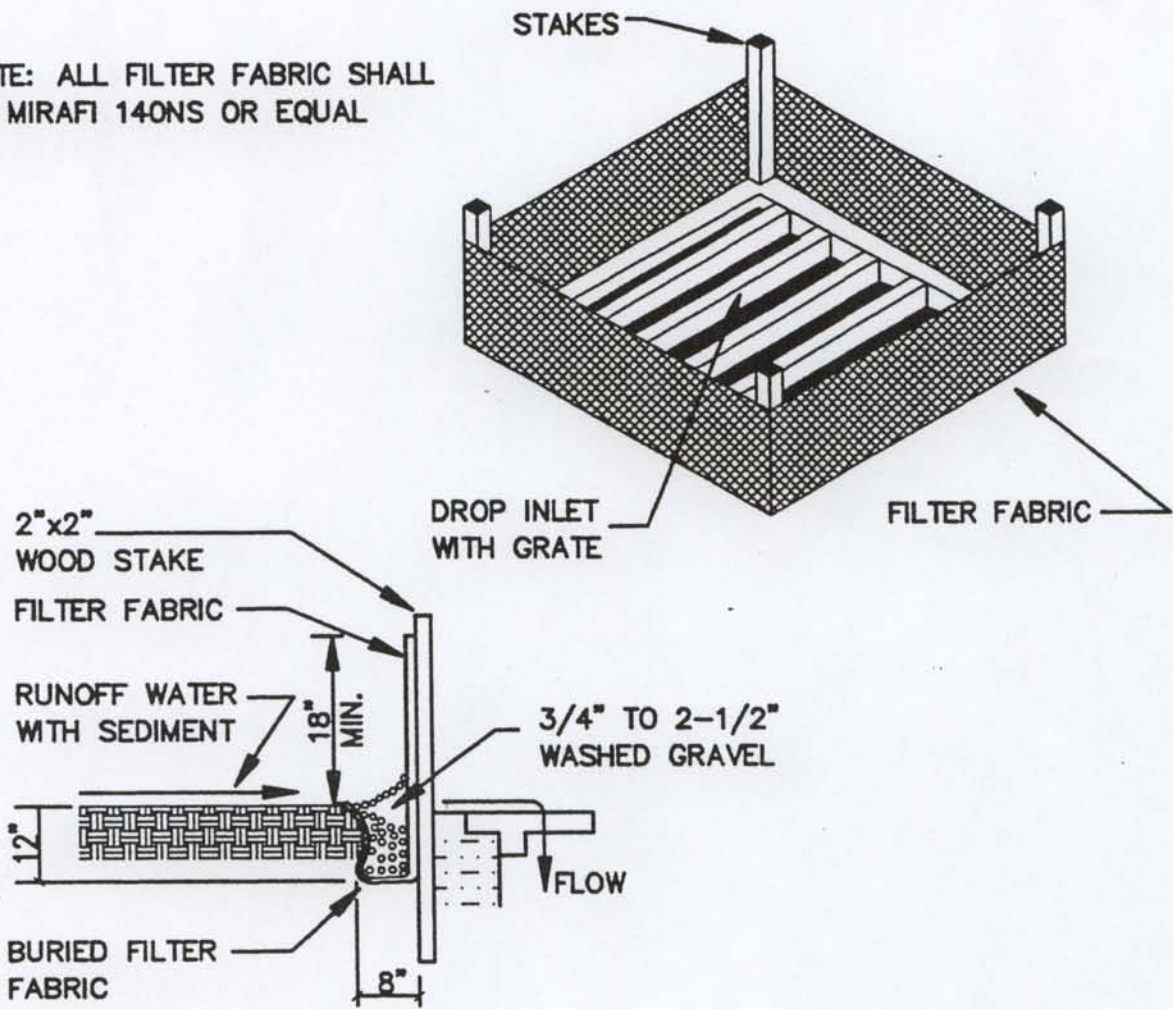


NOTE: ALL FILTER FABRIC SHALL BE MIRAFT 140NS OR EQUAL



INLET FABRIC FENCE FILTER
N.T.S.

TOWN OF FRIDAY HARBOR			
INLET FABRIC FENCE FILTER			
APPROVED: <i>C. King</i> TOWN ADMINISTRATOR			DWG. NO. 5-18
DATE: 1/16/97	DRWN: L.T.	CHKD: T.N.	SCALE: NO SCALE