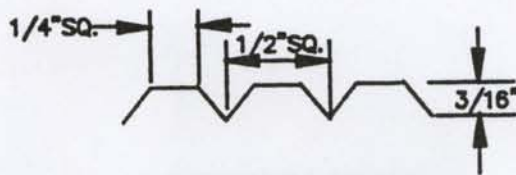


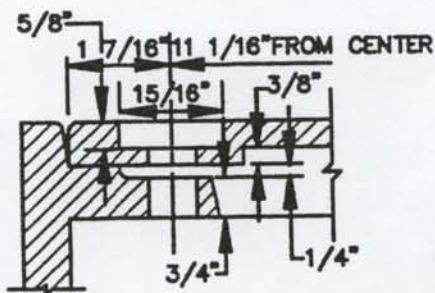
SECTION A-A



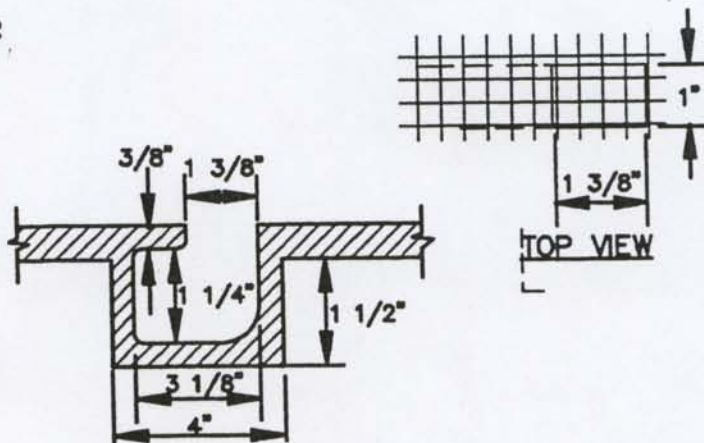
COVER SKID DESIGN DETAIL

NOTES:

1. USE WITH THREE LOCKING BOLTS 3/8"-11 NC STAINLESS TYPE 304 STEEL SOCKET HEAD (ALLEN HEAD) CAP SCREWS 2" LONG. DRILL HOLES SPACED 120° • 11 1/16" RADIUS
2. MATERIAL IS DUCTILE IRON ASTM A 536 GRADE 80-55-06.



BOLT-DOWN DETAIL



BLIND PICK NOTCH DETAIL

SOLID LOCKING LID

N.T.S.

TOWN OF FRIDAY HARBOR			
SOLID LOCKING LID			
APPROVED: <i>C. King</i> TOWN ADMINISTRATOR		DATE 1/16/97	DWG. NO. 5-10
DATE: 1/16/97	DRWN: L.T.	CHKD: T.N.	SCALE: NO SCALE