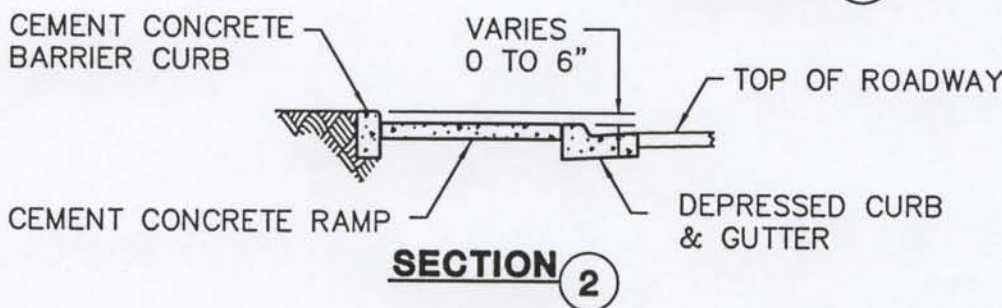
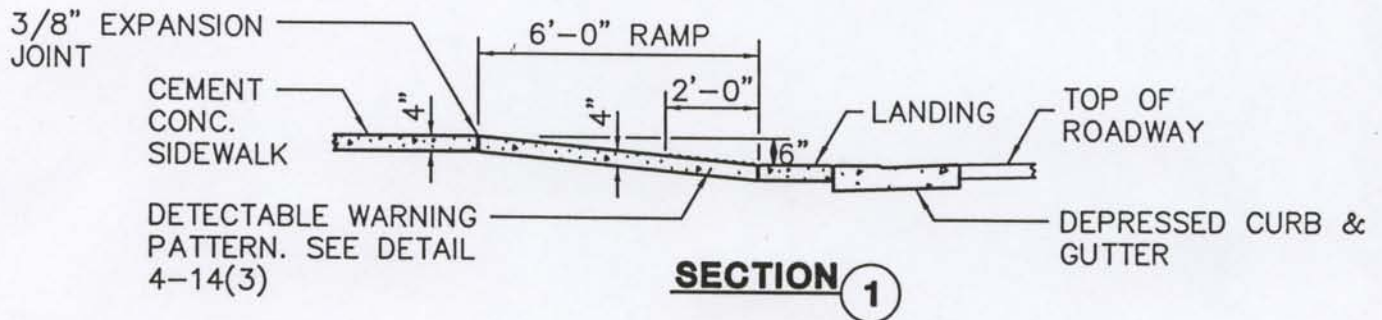
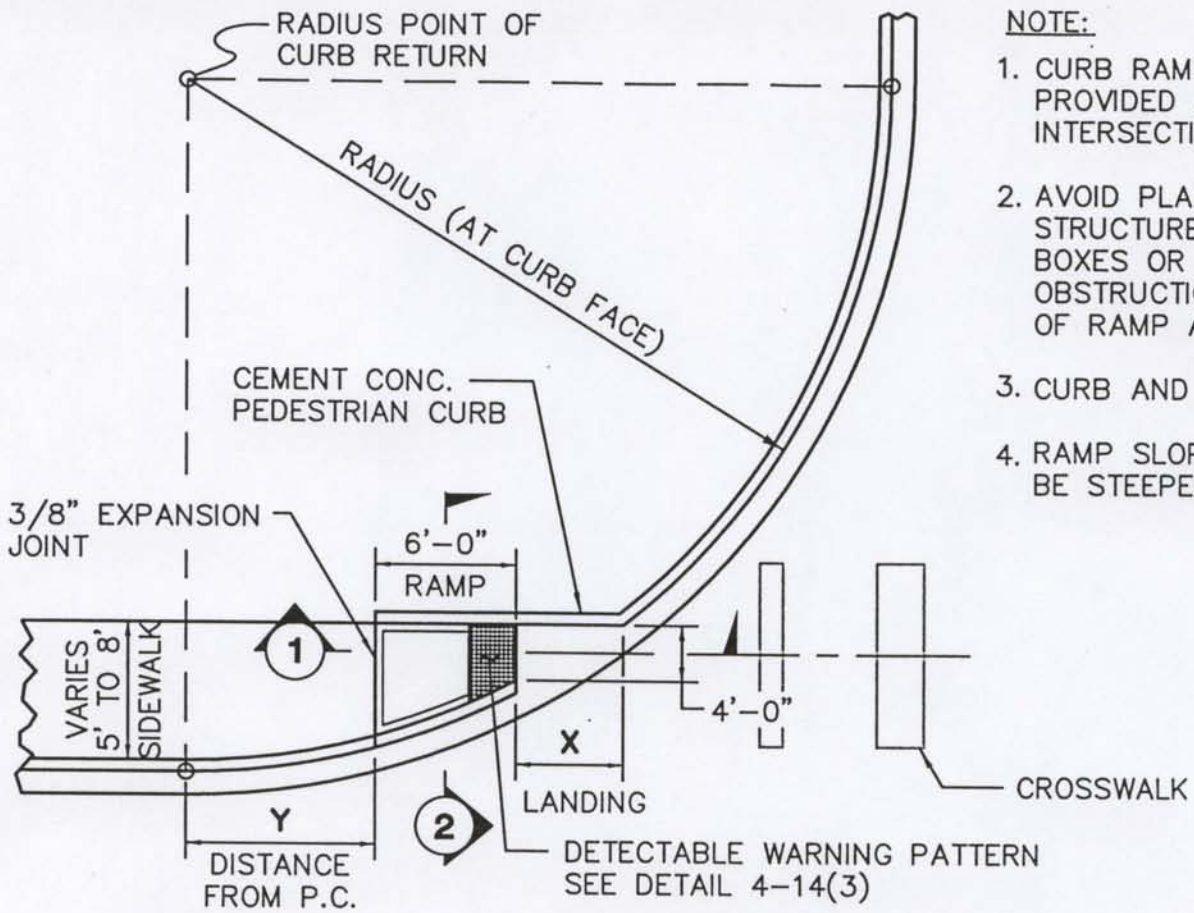


NOTE:

1. CURB RAMP SHALL BE PROVIDED AT ALL INTERSECTIONS.
2. AVOID PLACING DRAINAGE STRUCTURES, JUNCTION BOXES OR OTHER OBSTRUCTIONS IN FRONT OF RAMP ACCESS AREAS.
3. CURB AND GUTTER SHOWN.
4. RAMP SLOPES SHALL NOT BE STEEPER THAN 12H:1V



RADIUS (AT CURB FACE)	X	Y
20 FEET	6'-1 3/4"	2'-7 1/4"
30 FEET	7'-11 3/4"	4'-8 1/4"
40 FEET	9'-5 1/4"	6'-5"
50 FEET	10'-8 3/4"	7'-11 1/4"
60 FEET	11'-10 1/4"	9'-3 1/2"

INTERMEDIATE RADII CAN BE INTERPOLATED

TOWN OF FRIDAY HARBOR			
SIDEWALK RAMP TYPE 4A			
APPROVED:		DWG. NO.	
<i>C. King</i>		4-14(4)	
TOWN ADMINISTRATOR		DATE	
DATE:	DRWN:	CHKD:	SCALE:
02/04/04	B.W.	T.N.	NO SCALE